

MULTIPLE DOWNCOMER FRACTIONAL DISTILLATION TRAY AND PROCESS

INVENTORS: MOHAMED S.M. SHAKUR ET AL.

DOCKET NO.: 106290

1/2

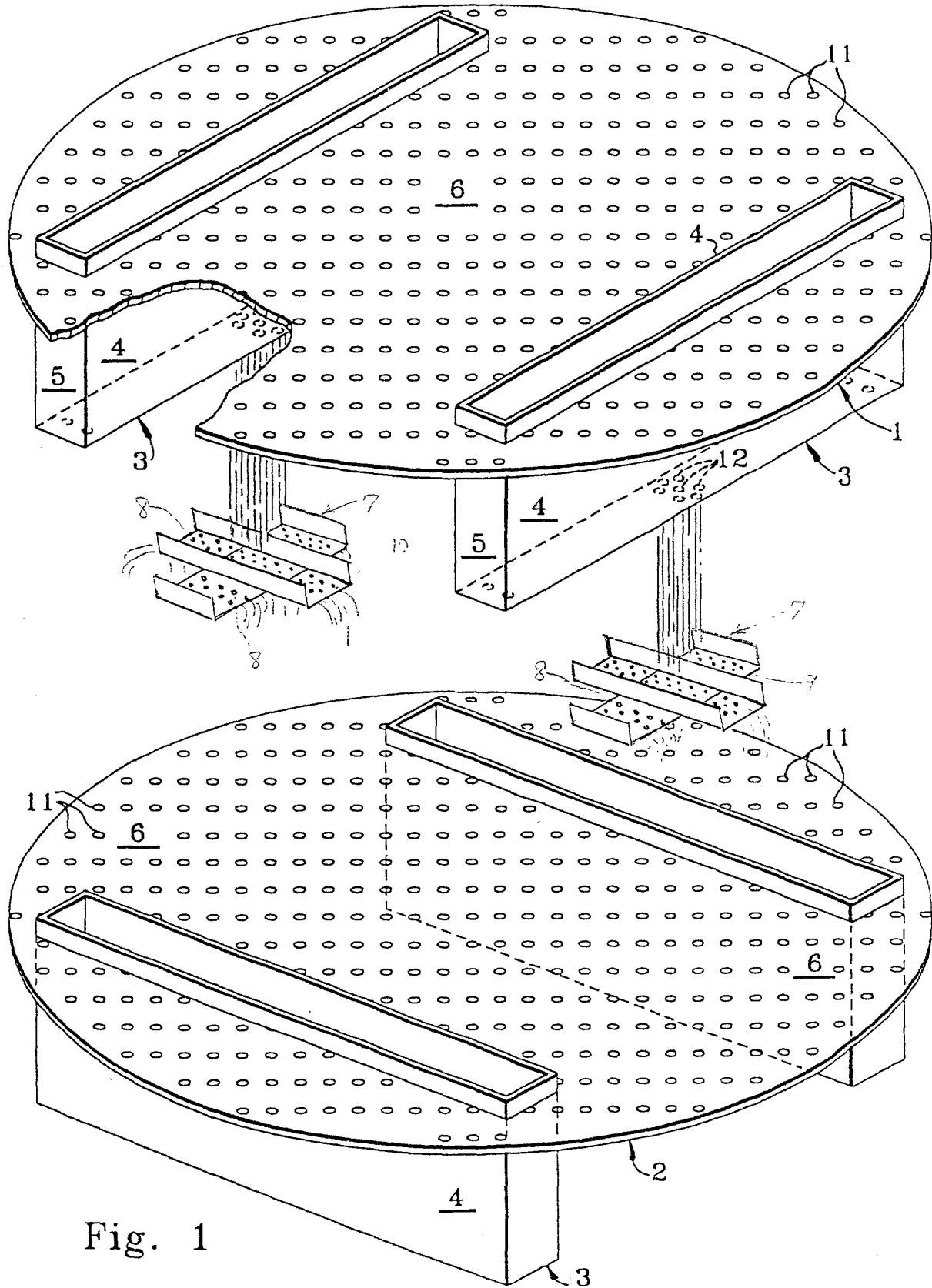
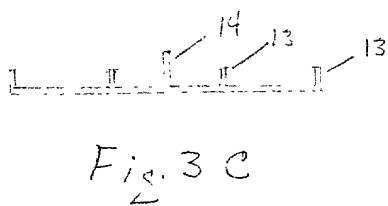
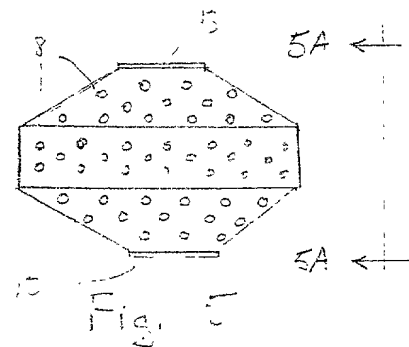
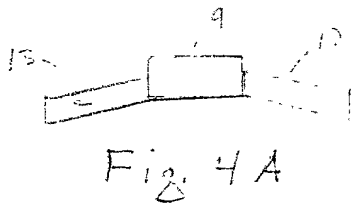
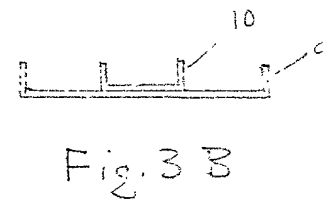
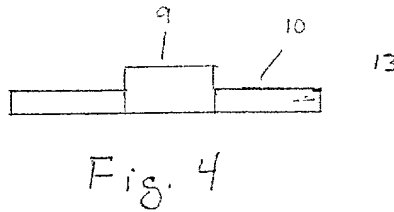
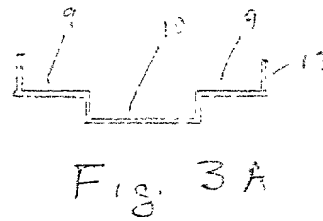
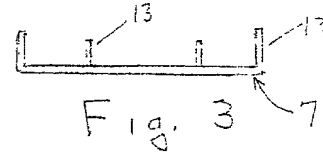
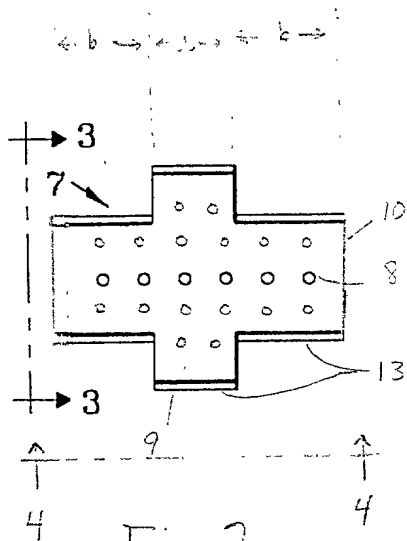
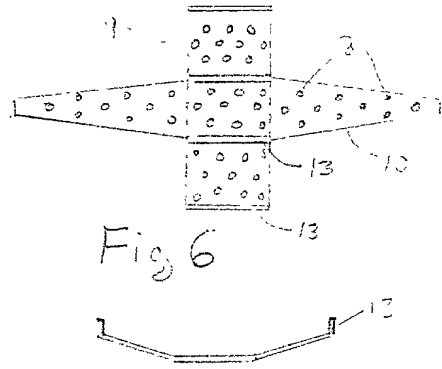
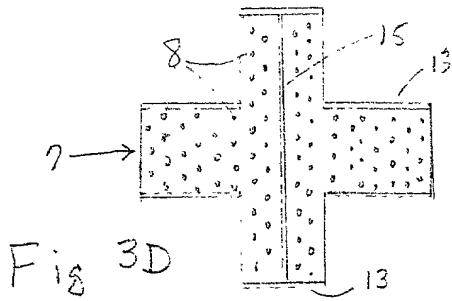


Fig. 1

2/2



FOOT-666666